

General Instructions for Card Models

This Type of modeling isn't hard. It just has it's own methods. With practice and patience the results can be amazing.

You will need a good pair of sissors, a sharp hobby knife for cutting out the parts. Also a dull knife for scoring the fold lines, a ruler for straight cutting and scoring. Also a pair of tweezers for handeling small parts, and a thickened white glue known as "tacky" for gluing the parts together.

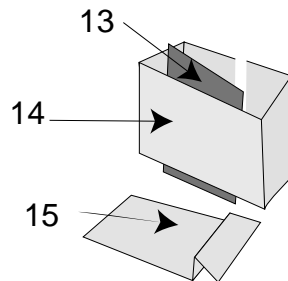
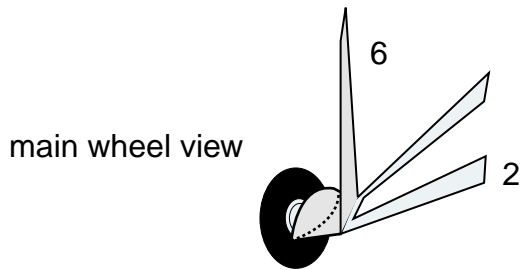
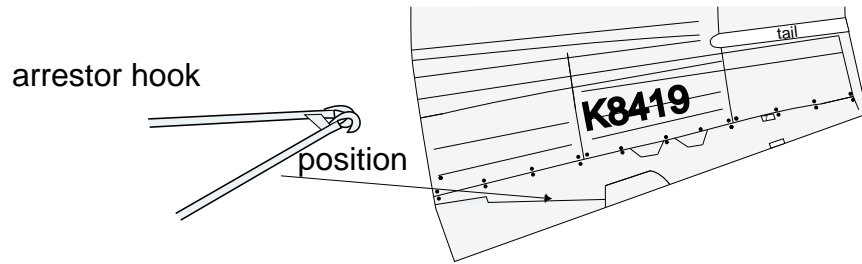
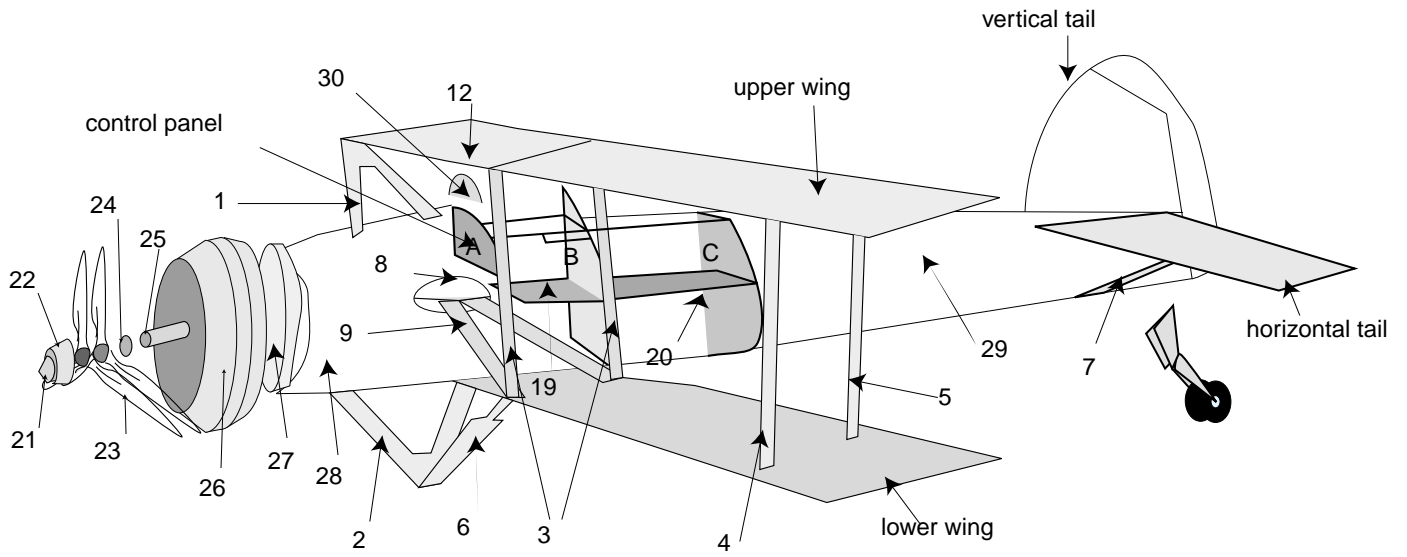
There are a couple ways to round parts. large parts can be pulled over a table edge. Some parts can be rolled with a dowel, sharp pencil, or stiff wire. Long pieces can be run between a dull knife and thumb, as you would curl a ribbon.

When gluing put some glue on a piece of scrap paper and use a tooth pick to apply glue to the parts. Always dry fit parts before gluing. Always score fold lines before bending to assure sharp folds. Use the drawing provided, along with the part numbers, to build your model.

We are constantly adding new products, so go to our site often!
www.digitalcardmodels.com

Fairey Swordfish Mk 1
 K8422 of No.820 Sqn FAA
 1940

Fairey Swordfish Mk.1
1:72



Digital Card Models

Aircraft of the First World War Card Model Series on CD-Rom

These cds contains full color card models of various W.W.1 Aircraft.. All models are presented in full color in 1/32nd scale.

The models are supplied along with Freeware and Shareware drawing and editing software which is provided free with the permission of the authors.

There is also a shareware program provided, that allows you to produce the model in poster size and all models are supplied in that format also. Again the software is provided with the permission of the author.

All photos, were provided by Mark Johnson, our beta-tester and in my opinion master card modeler and remain his property. All supplied models can be freely modified for your own use only, you may not sell or otherwise distribute them without the written permission of Digital Card Models and the individual designer.

Be sure visit us on the web at www.digitalcardmodels.com comments can be sent to sbucher@hydrossoft.net

Digital Card Models was founded as a result of my quest for a BE2a Model. Since Gabriel Panait has joined forces with me and we have to date produced what I think is a fine series of detailed W.W.1 aviation subjects. To date the BE2a, SPAD VII, Sopwith Snipe, Sopwith Wright, And Caudron G-4 are represented, some in several color schemes. More are coming. Photos below are of actual models.

